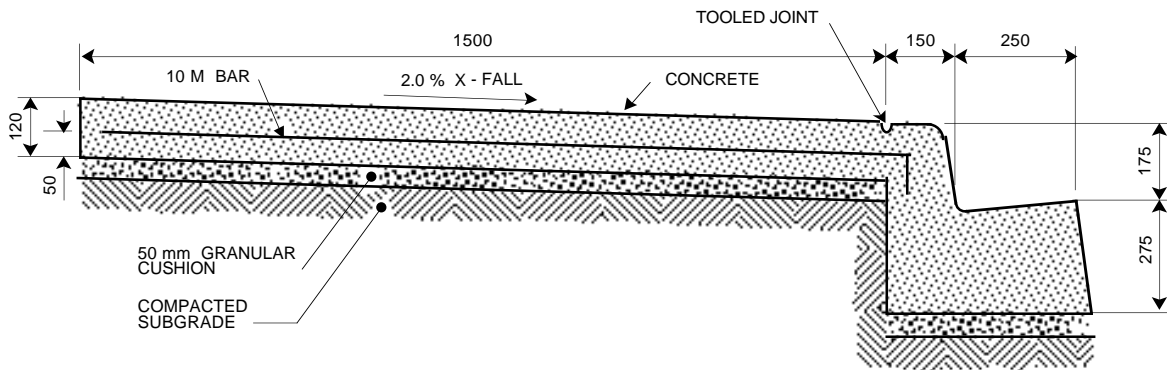
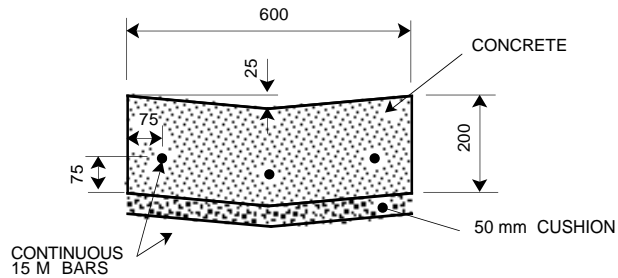


120 mm STANDARD SIDEWALK TRANVERSE SECTION



MONOLITHIC CURB, GUTTER AND SIDEWALK



CONCRETE SWALE GUTTER

SIDEWALK & SWALE GUTTER DETAILS	1999-08-10
	Detail 02771.02